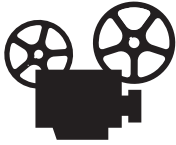


Transparencies

This topic includes:

- "Guidelines" on page 2-48
- "Printing Transparencies from Tray 1 (MPT)" on page 2-49
- "Printing Transparencies from Tray 2" on page 2-50

Transparencies can be printed from Tray 1 (MPT) or Tray 2. Handle transparencies by the edges using both hands to avoid fingerprints and creases which can cause poor print quality.



Videos are available with instructions for loading transparencies. Videos are located on the *User Documentation CD-ROM* and at www.xerox.com/office/7750support.

Guidelines

- Xerox recommends that you use only Xerox Phaser 45-Series Premium Transparency Film, which has been specifically developed for use with this type of printer fuser.
- Place no more than 150 transparencies at one time in the tray.

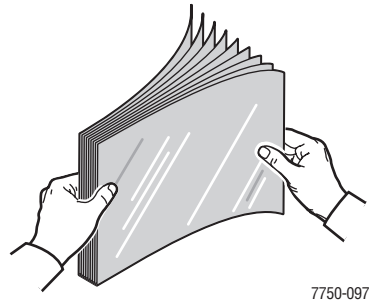
To order supplies, contact your local reseller or visit the Xerox web site at www.xerox.com/office/7750supplies.

Caution

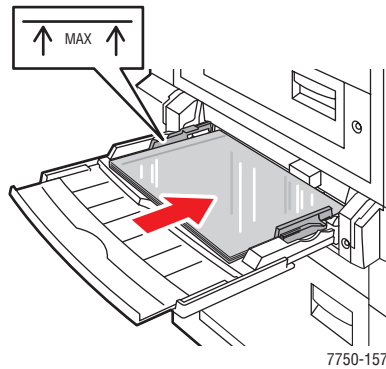
Damage caused by using unsupported paper, transparencies, and other specialty media is not covered by the Xerox warranty, service agreement, or Total Satisfaction Guarantee. The Total Satisfaction Guarantee is available in the United States and Canada. Coverage may vary outside these areas; please contact your local representative for details.

Printing Transparencies from Tray 1 (MPT)

1. Fan the transparencies to release sheets that may stick together.



2. Insert the transparencies **long-edge feed** into Tray 1 (MPT).



Note

Do not load paper above the fill line inside the tray.

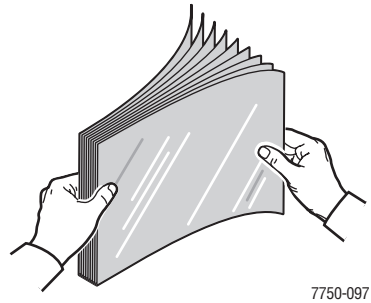
3. Adjust the paper guides to the size of the transparencies.

Selecting Front Panel Settings to Print Transparencies

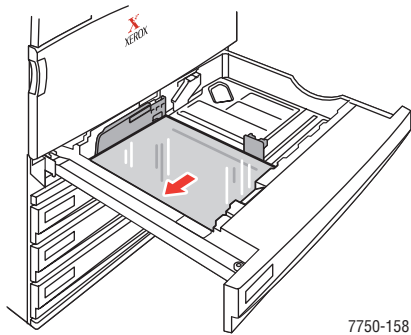
1. At the printer's front panel, do one of the following:
 - Press the **OK** button if both **Phaser 45-Series Transparency** and the correct paper size are selected. Go to Step 4.
 - Select **Change** if a different paper type or incorrect paper size is selected, then press the **OK** button. Go to Step 2.
2. Select **Phaser 45-Series Transparency**, then press the **OK** button.
3. Select the paper size, then press the **OK** button to save your selection.
4. In the printer driver, select either the paper type or **Tray 1 (MPT)** as the paper source.

Printing Transparencies from Tray 2

1. Fan the transparencies to release sheets that may stick together.



2. Insert the transparencies **long-edge feed** into Tray 2.



Note

Do not load paper above the fill line inside the tray.

3. Adjust the paper guides to the size of the transparencies.

Selecting Front Panel Settings to Print Transparencies

1. At the printer's front panel, do one of the following:
 - Press the **OK** button if both **Phaser 45-Series Transparency** and the correct paper size are selected. Go to Step 4.
 - Select **Change** if a different paper type or incorrect paper size is selected, then press the **OK** button. Go to Step 2.
2. Select **Phaser 45-Series Transparency**, then press the **OK** button.
3. Select one of the following paper size options:
 - The paper size displayed or **Auto-Sensed**
 - **Custom**: Requires you to select custom width and custom height values.
4. In the printer driver, select either the paper type or **Tray 2** as the paper source.